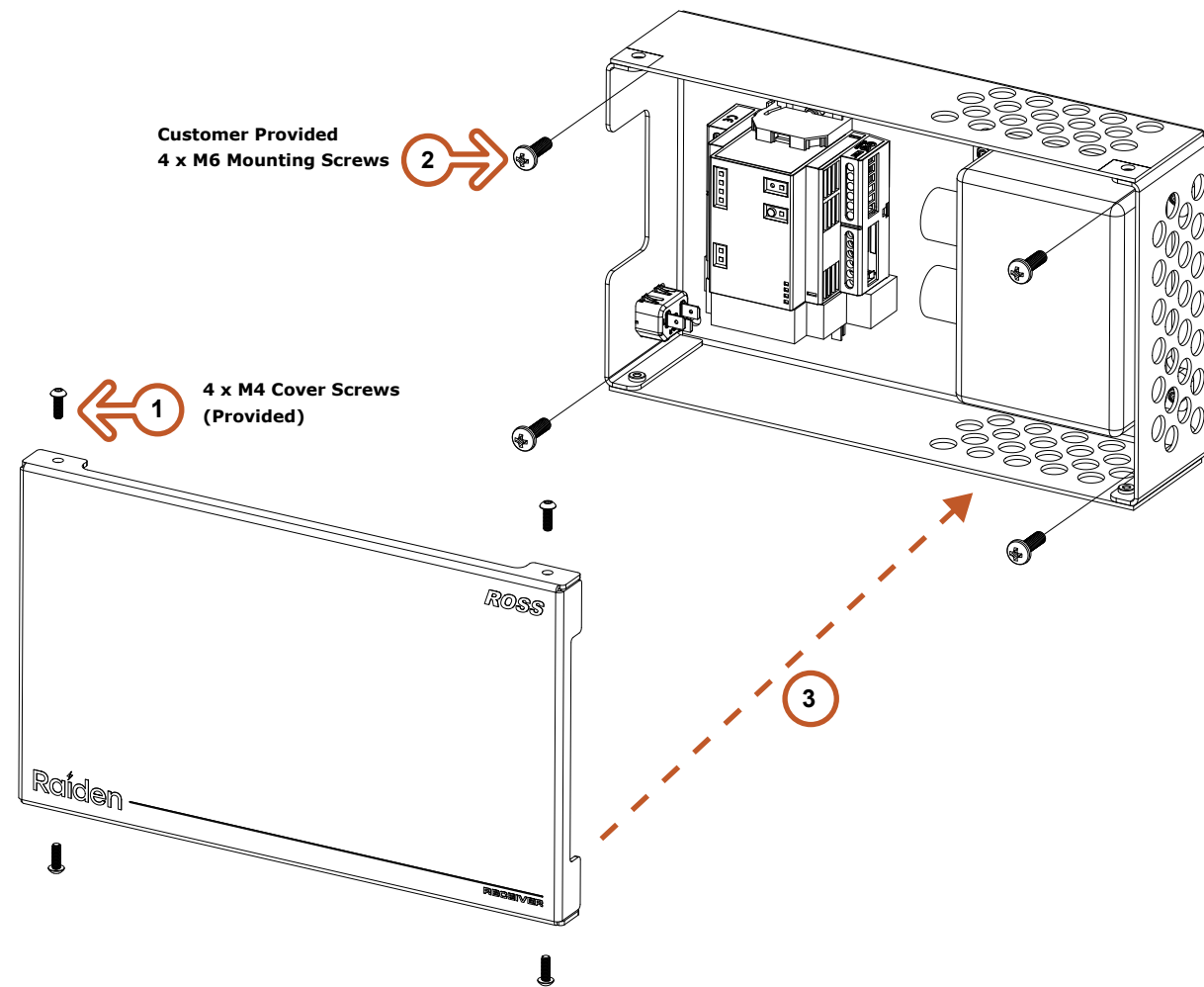




## Receiver Mounting



- 1** Remove the cover (required for wall mounting) by unscrewing the four M4 cover screws.  
*Alternatively, if wall mounting is not required, the unit may be secured to a stable, flat surface such as a desk or shelf.*  
*Ensure the unit is properly secured to prevent damage if it is accidentally knocked or dropped.*
- 2** Mount the base to a wall, using customer-supplied M6 mounting screws suitable for the mounting surface (wall mounting instructions are not provided).  
*The maximum wall mounting height must not exceed 2 meters.*
- 3** Reattach the cover to the base using the supplied M4 cover screws.

## Symbol Meanings



**Protective Earth:** This symbol identifies a Protective Earth (PE) terminal, which is provided for connection of the supply system's protective earth (green or green/yellow) conductor.



**Important:** This symbol on the equipment refers you to important operating and maintenance (servicing) instructions within the Product Manual Documentation. Failure to heed this information may present a major risk of damage or injury to persons or equipment.



**Warning:** The symbol with the word "Warning" within the equipment manual indicates a potentially hazardous situation which, if not avoided, could result in death or serious injury.



**CAUTION:** The symbol with the word "Caution" within the equipment manual indicates a potentially hazardous situation which, if not avoided, may result in minor or moderate injury. It may also be used to alert against unsafe practices.



**Warning Hazardous Voltages:** This symbol is intended to alert the user to the presence of uninsulated "dangerous voltage" within the product enclosure that may be of sufficient magnitude to constitute a risk of shock to persons.



**ESD Susceptibility:** This symbol is used to alert the user that an electrical or electronic device or assembly is susceptible to damage from an ESD event.

## Receiver Specifications

Input Power Consumption				Input Voltages	
Minimum	0.0017W	0.0214A	0.336PF	All	100 - 240V~, 50/60Hz
Nominal	0.0024W	0.0262A	0.383PF		100 - 240V~, 50/60Hz
Maximum	24W	0.1A	1PF		100 - 240V~, 50/60Hz

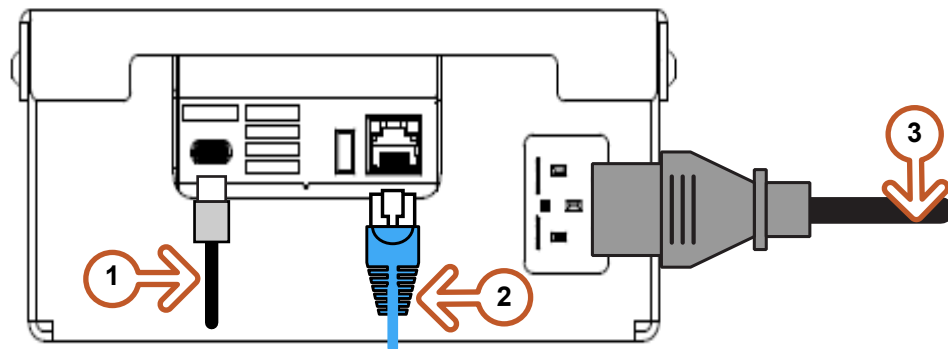
## Receiver Cabling

- 1 Plug the USB-C cable (customer supplied) from the computer running the Arduino IDE software into the **USB-C** port.
- 2 Plug an Ethernet cable from your Local Area Network into the **Ethernet** port.
- 3 Connect the power cord from the IEC Connector on the system to the mains power.
- 4 Install the batteries (provided) into the Transmitter.

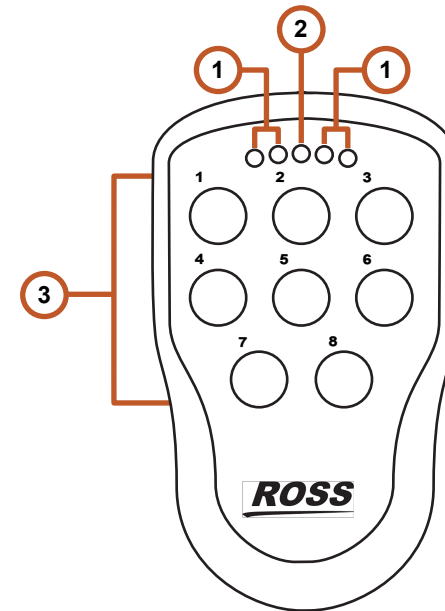
*The battery compartment is located on the reverse side of the transmitter and can be accessed by removing the back panel secured with five perimeter screws.*

*Note: For detailed instructions on removing the panel and installing the batteries, refer to the original documentation for model T21-08, available on the Tele Radio® website.*

- 5 Turn on the Transmitter.  
*The remote control system is ready to be programmed by a qualified Ross Commissioner.*  
*If needed, the remote control system can be reprogrammed. Contact Ross Technical Support for assistance with reprogramming.*

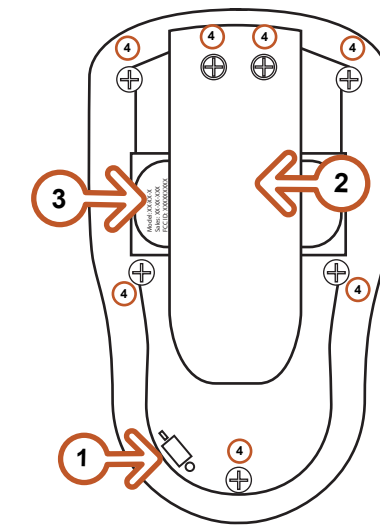


## Transmitter Overview



**Transmitter Front**

- 1 LED (red) – Status Indicator
- 2 Top LED (red/green) – Status Indicator
- 3 Buttons 1 to 8 – Control Buttons



**Transmitter Back**

- 1 I/O Switch
- 2 Clip
- 3 Product Label
- 4 Screws

### Battery Information

The transmitter control requires three (provided) 1.5V AAA/LR03 Alkaline batteries.

**Note:** The top LED flashes green when the battery capacity is good and red when the battery capacity is poor. When the top LED flashes red, the battery should be changed.

*For detailed information on the transmitter's operation and maintenance, refer to the original documentation for model T21-08, provided by Tele Radio®, available on the manufacturer's website.*

## EMC Notices

**⚠ CAUTION:** To ensure proper operation and compliance with EMC standards, the device must be powered using a stable and filtered power supply. Unfiltered or unstable power sources may result in malfunction or failure during electrical fast transient (EFT) events.

### United States of America — FCC Part 15

This equipment has been tested and found to comply with the limits for a class A Digital device, pursuant to part 15 of the FCC Rules. These limits are designed to provide reasonable protection against harmful interference when the equipment is operated in a commercial environment. This equipment generates, uses, and can radiate radio frequency energy and, if not installed and used in accordance with the instruction manual, may cause harmful interference to radio communications. Operation of this equipment in a residential area is likely to cause harmful interference in which case the user will be required to correct the interference at his own expense.

**! Important:** Changes or modifications to this equipment not expressly approved by Ross Video Limited could void the user's authority to operate this equipment.

### Canada

This Class "A" digital apparatus complies with Canadian ICES-003. Cet appareil numérique de la classe "A" est conforme à la norme NMB-003 du Canada.

### Korea — Class A Statement

이 기기는 업무용 환경에서 사용할 목적으로 적합성 평가를 받은 기기로서 가정용 환경에서 사용하는 경우 전파간섭의 우려가 있습니다.

This device has been evaluated for conformity for use in a business environment. When used in a home environment, there is a danger of interference.

### Europe

This equipment is in compliance with the essential requirements and other relevant provisions of CE Directive 93/68/EEC.

### International

This equipment has been tested to CISPR 22:1997 along with amendments A1:2000 and A2:2002, and found to comply with the limits for a Class A Digital device.

**! Important:** This is a Class A product. In domestic environments, this product may cause radio interference, in which case the user may have to take adequate measures.

## Regulatory and Safety Notices to Service Personnel

Before using this product and any associated equipment, refer to the " Important Safety Instructions " listed in this manual to avoid personnel injury and to prevent product damage. Product may require specific equipment, and/or installation procedures to be carried out to satisfy certain regulatory compliance requirements. Notices have been included in this publication to call attention to these specific requirements.

## Important Safety Instructions

1. **⚠ Warning:** Read these instructions.
2. Keep these instructions.
3. Heed all warnings.
4. Follow all instructions.
5. Do not use this apparatus near water.
6. Clean only with a dry cloth.
7. Do not block any ventilation openings. Install in accordance with the manufacturer's instructions.
8. Do not install near heat sources such as radiators, heat registers, stoves, or other apparatus (including amplifiers) that produce heat.
9. Do not defeat the safety purpose of the polarized or grounding-type plug. A polarized plug has two blades with one wider than the other. A grounding type plug has two blades and a third grounding prong. The third prong is provided for your safety. If the provided plug does not fit into your outlet, consult an electrician for replacement of the obsolete outlet.
10. Protect the power cord from being walked on or pinched, particularly at plugs, convenience receptacles, and the point where they exit from the apparatus.
11. Only use attachments/accessories specified by the manufacturer.
12. Unplug this apparatus during lightning storms or when unused for long periods of time.
13. Refer all servicing to qualified service personnel. Servicing is required when the apparatus has been damaged in any way, such as when the power-supply cord or plug is damaged, liquid has been spilled or objects have fallen into the apparatus, the apparatus has been exposed to rain or moisture, does not operate normally, or has been dropped.
14. Do not expose this apparatus to dripping or splashing, and ensure that no objects filled with liquids, such as vases, are placed on the apparatus.
15. To completely disconnect this apparatus from the AC Mains, disconnect the power supply cord plug from the AC receptacle.
16. The mains plug of the power supply cord shall remain readily operable.
17. **⚠ Warning:** Indoor Use: To reduce the risk of fire or electric shock, do not expose this apparatus to rain or moisture.
18. The safe operation of this product requires that a protective earth connection be provided. A grounding conductor in the equipment's supply cord provides this protective earth. To reduce the risk of electrical shock to the operator and service personnel, this ground conductor must be connected to an earthed ground.
19. **⚠ CAUTION:** These service instructions are for use by qualified service personnel only. To reduce the risk of electric shock, do not perform any servicing other than that contained in the operating instructions unless you are qualified to do so.
20. **⚠ Warning Hazardous Voltages:** Service barriers within this product are intended to protect the operator and service personnel from hazardous voltages. For continued safety, replace all barriers after servicing.
21. This product contains safety critical parts, which, if incorrectly replaced, may present a risk of fire or electrical shock. Components contained within the product's power supplies and power supply area are not intended to be customer-serviced and should be returned to the factory for repair.
22. Use only power cords specified for this product and certified for the country of use.
23. The safe operation of this equipment requires that the user heed and adhere to all installation and servicing instruction contained within the equipment's Setup Manuals.
24. For use at altitude 2000m or lower.
25. For use in non-tropical locations.
26. **⚠ CAUTION:** Do not make mechanical or electrical modifications to the equipment or add metallic items, such as metallic foil labels, to the printed circuit boards. Modifications can impair regulatory compliance, or performance and may void your warranty.
27. **⚠ Warning:** Do not operate the unit with the cover removed.
28. **⚠ Warning:** This equipment is not suitable for locations where children are likely to be present.



### Need Help?

Technical Support:  
 1-844-652-0645 (North America)  
 +800 3540 3545 (International)  
 Email: techsupport@rossvideo.com